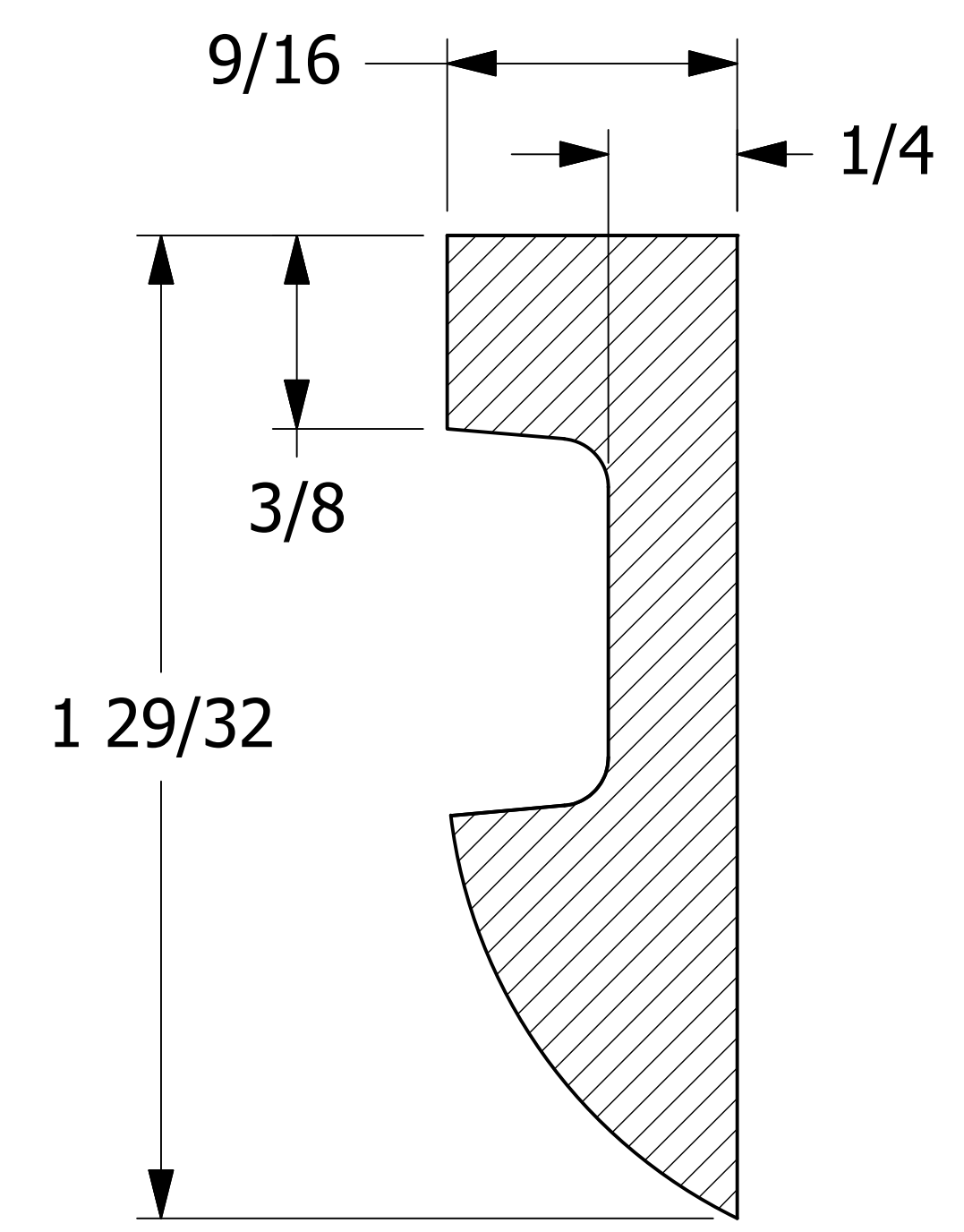
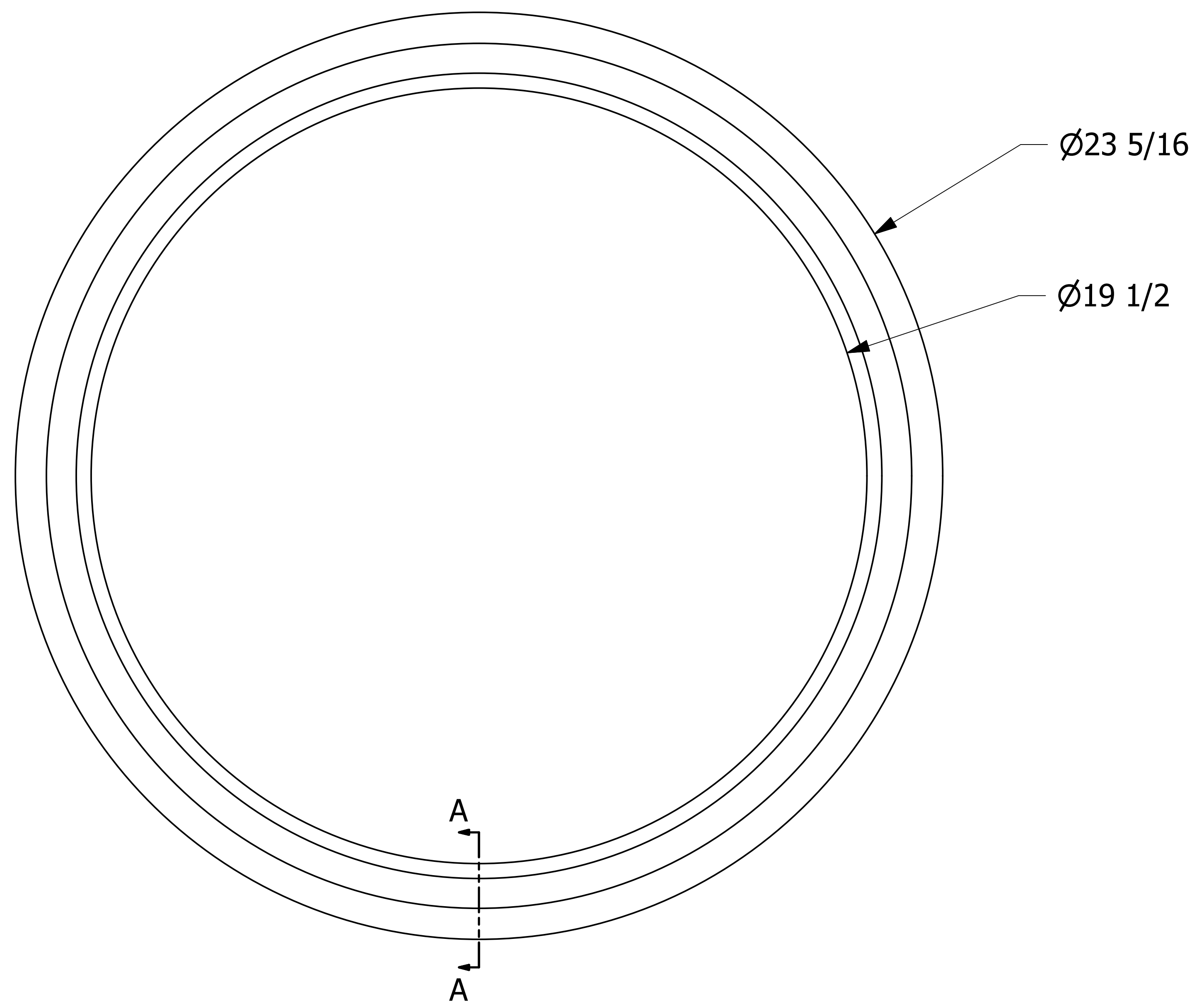


SALES DRAWING SALES DRAWING

SALES DRAWING SALES DRAWING



SECTION A-A
SCALE 3:1

| | | |
|--|-----------------------------|-----------|
| <small>UNLESS OTHERWISE SPECIFIED DIMENSIONAL TOLERANCES</small> FRACTIONAL: $\pm 1/16$ X.XX: $\pm .03$ X.XXX: $\pm .015$ ANGULAR: $\pm 1^\circ$ <small>DEBURR ALL SHARP EDGES. ALL MACHINED SURFACES TO HAVE A 125 RMS FINISH UNLESS NOTED OTHERWISE.</small> <small>THIRD ANGLE PROJECTION</small> | DRAWN BY: | JDA |
| | CHECKED BY: | |
| | PROTOTYPE BY: | JDA |
| | PROTOTYPE DATE: | 1/15/1990 |
| | APPROVED FOR PRODUCTION BY: | JDA |
| | PRODUCTION DATE: | 1/15/1990 |

| | | | |
|--|-----|--------------------------------|---------------------------|
| B | REH | 3-16-10 | ADDED MATERIAL NOTE |
| A | FRS | 6-12-91 | REDRAWN |
| REV | BY | DATE | DESCRIPTION |
| | | | |
| <small>PART NAME:</small> PULLMAN MONOWHEEL GASKET | | | |
| <small>MATERIAL:</small> SEE NOTE | | | |
| <small>PROJECT #:</small> | | <small>SHEET #:</small> 1 OF 1 | <small>SCALE:</small> 1:2 |
| <small>DRAWING #:</small> | | <small>PART #:</small> | |
| D21489 | | PL20HCG | |

THIS PRINT, PROPERTY OF SALCO PRODUCTS INC. CONTAINS PROPRIETARY INFORMATION AND MUST NOT BE COPIED, REPRODUCED, OR USED DETRIMENTALLY TO OUR INTEREST.